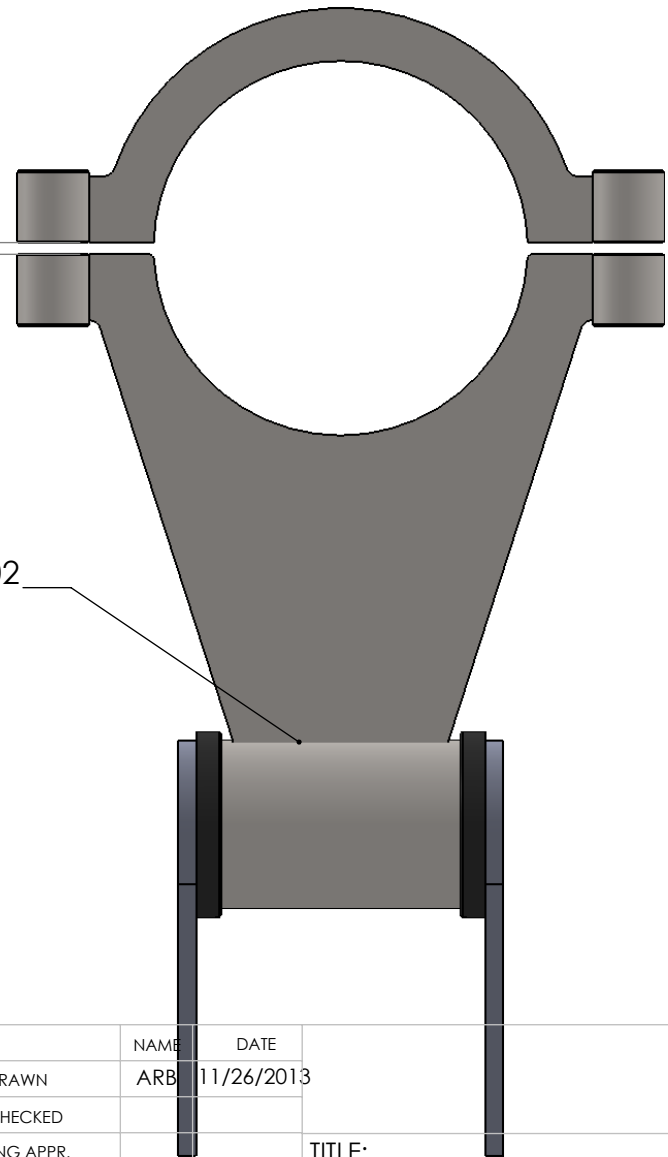


.12

TRIM 11130-02  
TO FIT



**PROPRIETARY AND CONFIDENTIAL**  
 THE INFORMATION CONTAINED IN THIS  
 DRAWING IS THE SOLE PROPERTY OF  
 GOAT BUILT, INC. ANY  
 REPRODUCTION IN PART OR AS A WHOLE  
 WITHOUT THE WRITTEN PERMISSION OF  
 GOAT BUILT, INC. IS PROHIBITED.

UNLESS OTHERWISE SPECIFIED:

DIMENSIONS ARE IN INCHES  
 TOLERANCES:  
 FRACTIONAL ±  
 ANGULAR: MACH ± BEND ±  
 TWO PLACE DECIMAL ±.015  
 THREE PLACE DECIMAL ±.002

INTERPRET GEOMETRIC  
 TOLERANCING PER:

MATERIAL  
 11 GA DOMEX

FINISH

DO NOT SCALE DRAWING

NAME	DATE
DRAWN ARB	11/26/2013
CHECKED	
ENG APPR.	
MFG APPR.	
Q.A.	
COMMENTS:	

TITLE:

**ATLAS MOUNT  
 BUSHING PLATE**

SIZE DWG. NO.

**A**

**1113**

SCALE: 1:2

WEIGHT:

SHEET 1 OF 1

