



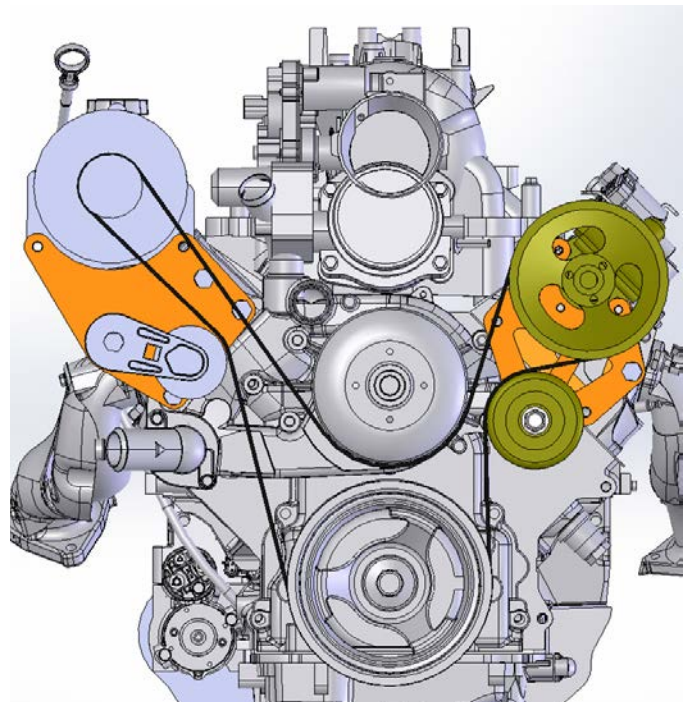
GOAT BUILT PASSENGER ALTERNATOR RELOCATION BRACKET

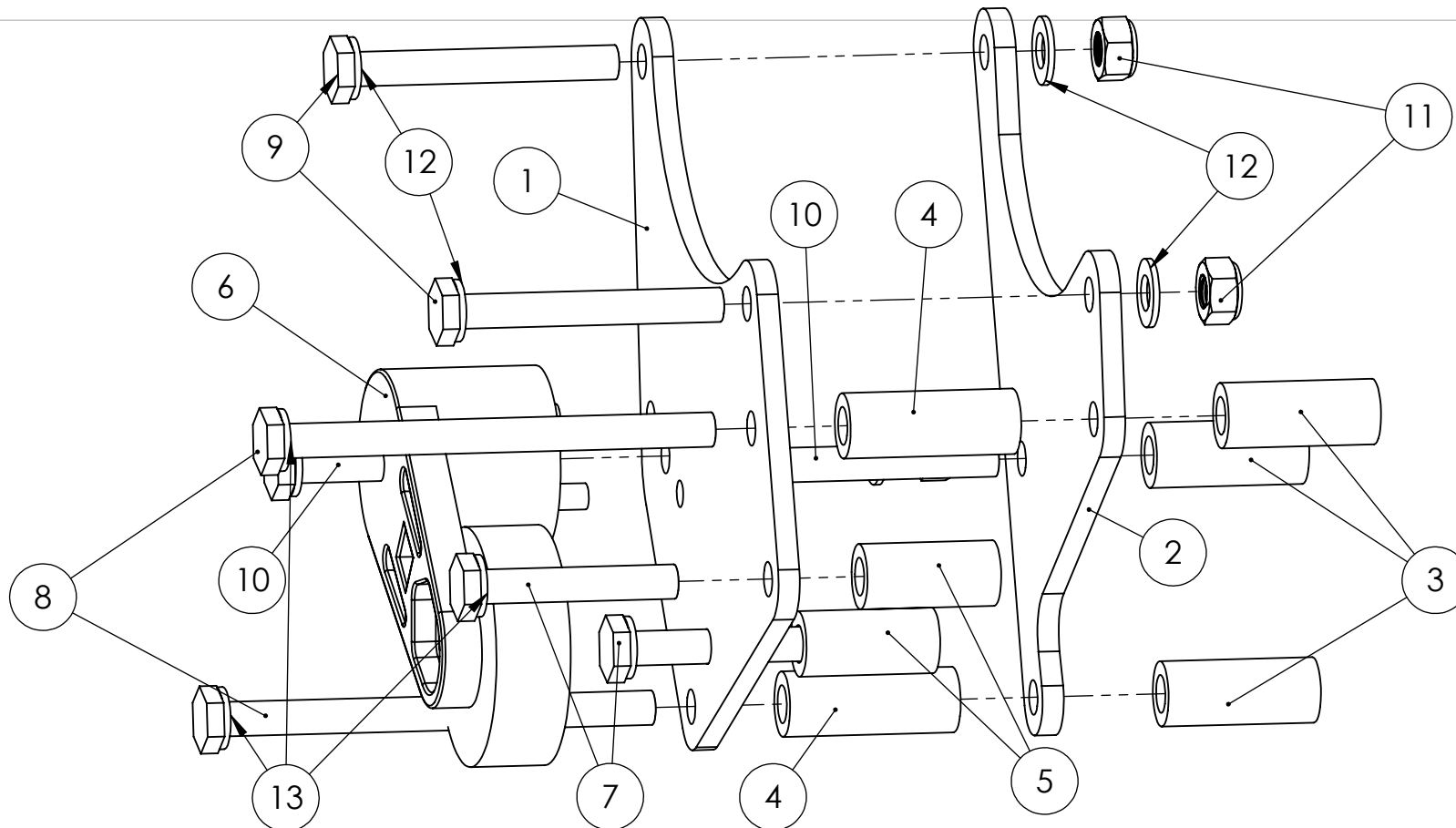
Thank you for purchasing Goat Built components, before starting your installation, we recommend that you read through these instructions to familiarize yourself with the steps and parts so you can plan and prepare for your install accordingly.

A few notes about the 4405-F alternator bracket:

- This bracket kit is intended for 98-02 Camaro, 98-06 GTO, 98-02 Firebird pulley spacing and water pump
- You can use the F-body alternator or switch to a 99-10 GM truck alternator
- The **belt length** varies based on which alternator you are using and which power steering pump, bracket and pulley diameter you are using. When using a CBR pump with a 6" pulley, Goat Built 4406 pump bracket and late model alternator, a 80.5" belt works. Based on these components, you can estimate the belt length for your specific configuration.
- A new belt tensioner is required with this kit, the belt tensioner is from a 2000-2006 Jeep Wrangler 4.0L, Gates P/N 38163 and is available from almost any automotive parts store

1. Loosely install all the brackets, pump and bolts before you fully tighten any of the bolts.
2. Install the 4406-02 brackets to the head using the one M10 x 70 bolt with the 1.794" spacer between the 4405-02 bracket and the head.
3. Install the 4406-01 brackets to the head using the two M10 x 130 bolts with the 2.010" spacers between the brackets and the 1.794" spacers between the 4400-02 bracket and the head.
4. Install the two M10 x 60 bolts thru the 4405-01 bracket, 1.576" spacers and into the water pump
5. Install the alternator between the 4405-01 and 4405-02 brackets using an M10x80 bolt and nylock nut, use a flat washer under the bolt head and nut.
6. Torque the 10 MM bolts to 40 ft-lbs
7. Install the new tensioner with an M10 x 70 bolt and nylock nut, use a flat washer under the bolt head and nut. Torque the tension bolt to 40 ft-lbs
8. Install the belt as shown below.





ITEM NO.	PART NUMBER	DESCRIPTION	4405-F/QTY.
1	4405-01	FRONT BRACKET	1
2	4405-02	REAR BRACKET	1
3	4400-1794	1.794 SPACER	3
4	4400-2010	2.010 SPACER	2
5	4400-1576	1.576 SPACER	2
6	38163	TENSIONER, 2000-2006 TJ	1
7	60	M10 X 60 BOLT	2
8	130	M10 X 130 BOLT	2
9	80	M10 X 80 BOLT	2
10	70	M10 X 70 BOLT	2
11	LOCK NUT	M10 LOCK NUT	3
12	91455A140	M10 FLAT WASHER	6
13	M10 LW	M10 SPLIT LOCK WASHER	5



TITLE: ALTERNATOR BRACKET
PASS SIDE, TRUCK ALT
F-BODY SPACING

SIZE DWG. NO.
A 4405-F

SCALE: 1:1 WEIGHT: SHEET 1 OF 1