

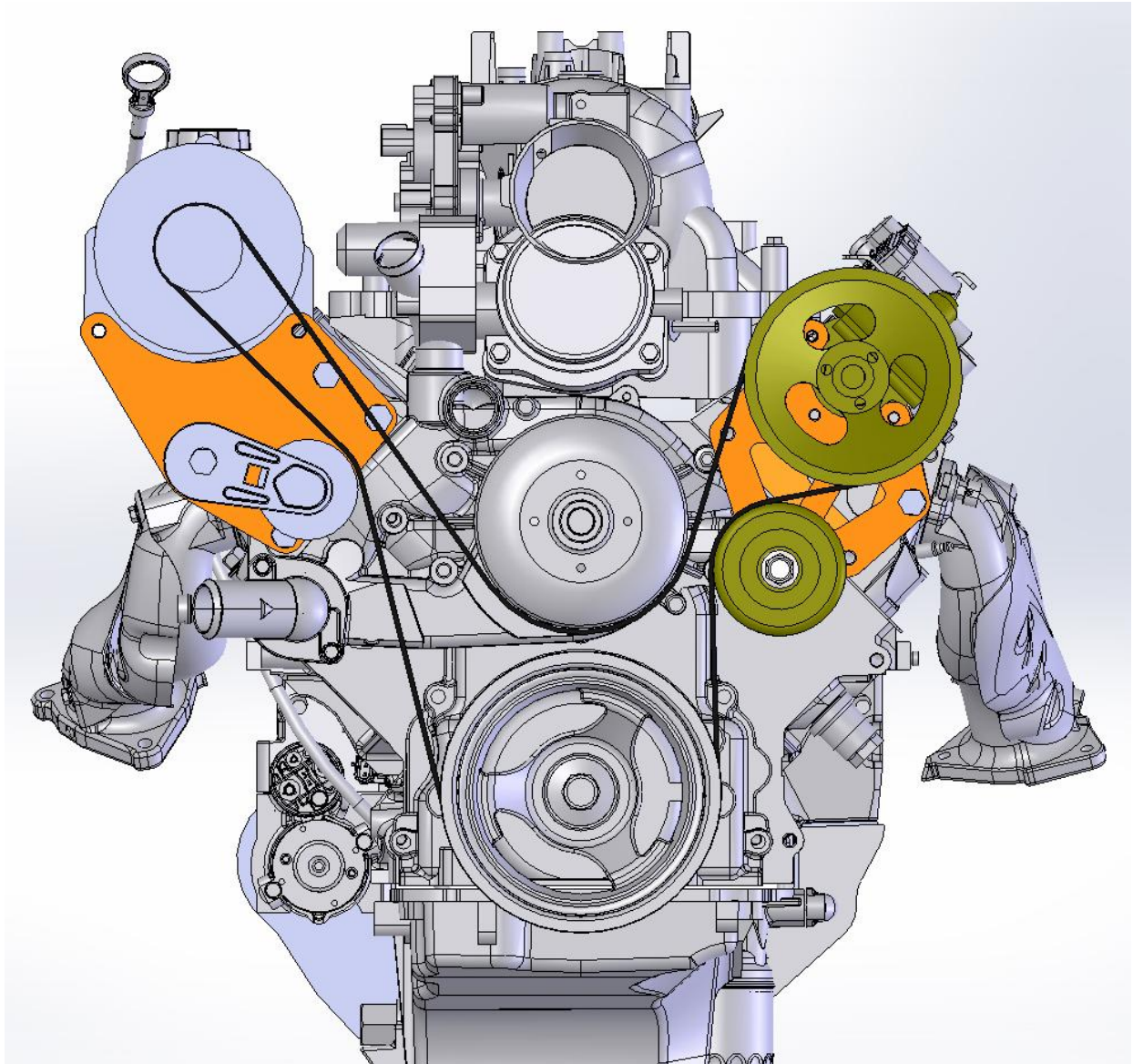


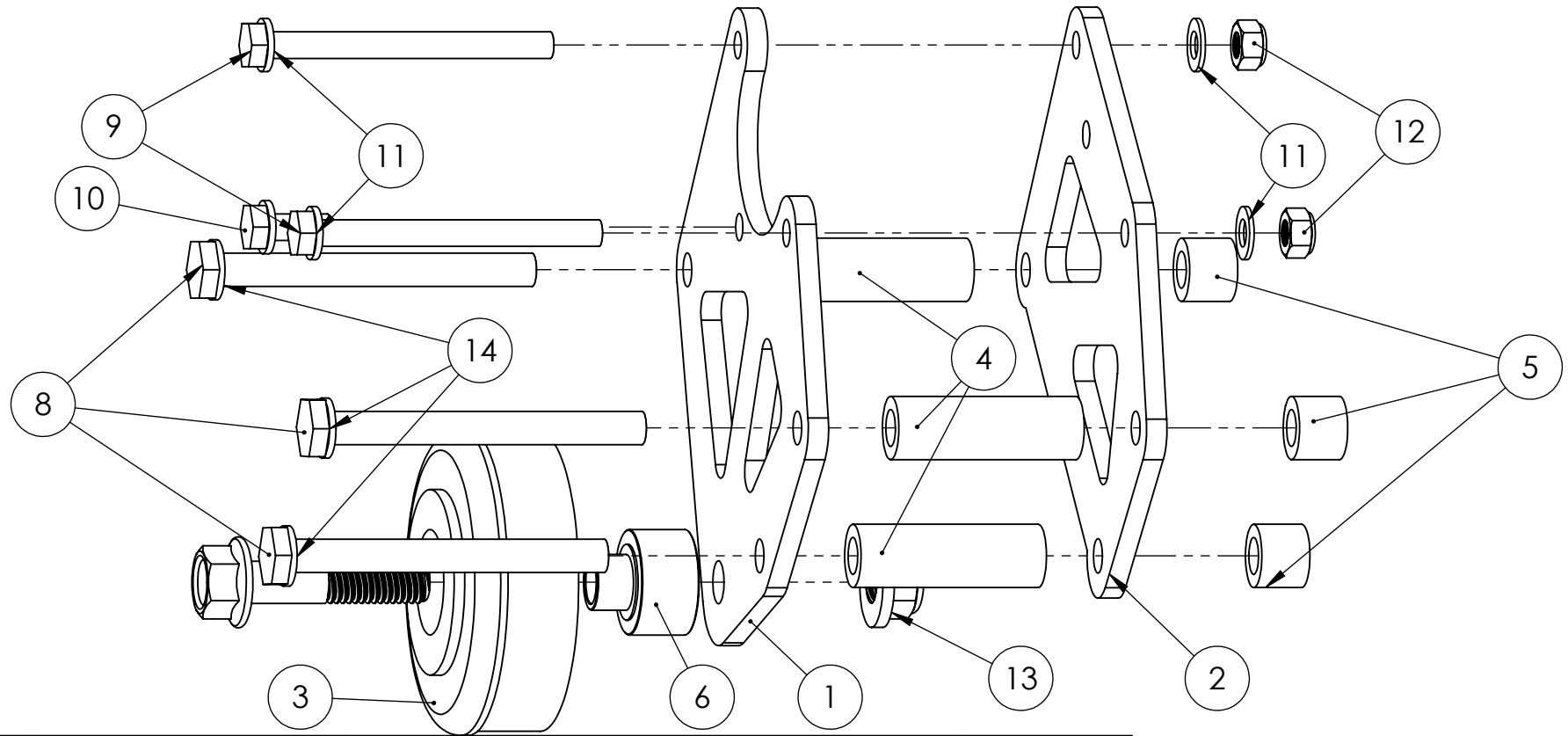
## GOAT BUILT CBR-PUMP RELOCATION BRACKET

Thank you for purchasing Goat Built components, before starting your installation, we recommend that you read through these instructions to familiarize yourself with the steps and parts so you can plan and prepare for your install accordingly.

A few notes about the 4406-F CBR pump bracket:

- This bracket kit is intended for 98-02 Camaro, 98-06 GTO, 98-02 Firebird pulley spacing and water pump
  - a CBR pump is required
  - The idler pulley is from any 2002-2013 GM truck/Tahoe application with a 4.8/5.3. or 6.0, Gates 36299, GM 12580771, Dorman 419602, Dayco 89006
  - A 90 degree pressure fitting is recommended at the top of the pump
  - Belt routing is shown below, the **belt length** varies based on which alternator you are using and which power steering pump, bracket and pulley diameter you are using. When using a power steering pump with a 6" pulley, Goat Built 4405 alternator bracket and 2005+ model alternator, a 80.5" belt works. Based on these components, you can estimate the belt length for your specific configuration, 2005 and earlier alternator would use a smaller belt. Many of the belt manufacturers use the belt length as part of the part number, for example Dayco belt 5060805 would be a 6 rib, 80.5" length, the last 3 number are the length
1. Loosely install all the brackets, pump and bolts before you fully tighten any of the bolts. Tighten all the bolts before you install the idler pulley.
  2. Refer to the included parts diagram for assembly
  3. Install the 4406-01 and 4406-02 brackets to the head using the three M10 x 100 bolts with the 2.275" spacers between the brackets and the .590 " spacers between the 4400-02 bracket and the head, use the split lock washers under the bolt heads.
  4. Install the CBR pump between the 4406-01 and 4406-02 brackets using the two M8x90 bolts and nylock nut and the M8x20 bolt in the tapped hole in the pump, use a flat washer under the bolt head and nuts.
  5. Torque the 10 MM bolts to 40 ft-lbs, 8 mm bolts to 15 ft-lbs
  6. Remove the stock bolt and spacer from the idler pulley. Install the idler to the 4406-01 bracket using the 4400-04 spacer, 1/2" flange bolt and flange lock nut. Torque the idler bolt to 70 ft-lbs





| ITEM NO. | PART NUMBER | DESCRIPTION              | 4400-F/QTY. |
|----------|-------------|--------------------------|-------------|
| 1        | 4406-01     | FRONT PLATE              | 1           |
| 2        | 4406-02     | REAR PLATE               | 1           |
| 3        | IDLER       | TRUCK IDLER              | 1           |
| 4        | 4400-2275   | 2.275" SOACER            | 3           |
| 5        | 4400-0590   | .590" SPACER             | 3           |
| 6        | 4400-04     | IDLER SPACER             | 1           |
| 7        | IDLER BOLT  | 1/2 FLANGE BOLT          | 1           |
| 8        | 100         | M10 X 100 BOLT           | 3           |
| 9        | 90          | M8 X 90 BOLT             | 2           |
| 10       | 20          | M8 X 20 BOLT             | 1           |
| 11       | FLAT WASHER | M8 FLAT WASHER           | 4           |
| 12       | 90576A117   | M8 NYLOCK                | 2           |
| 13       | 92018A540   | 1/2" UNC FLANGE LOCK NUT | 1           |
| 14       | M10 LW      | M10 SPLIT LOCK WASHER    | 3           |



TITLE:  
**DRIVER SIDE CBR PUMP  
 BRCKT, F-BODY SPACING**

SIZE DWG. NO.  
**A 4406-F**

SCALE: 1:1 WEIGHT: SHEET 1 OF 1